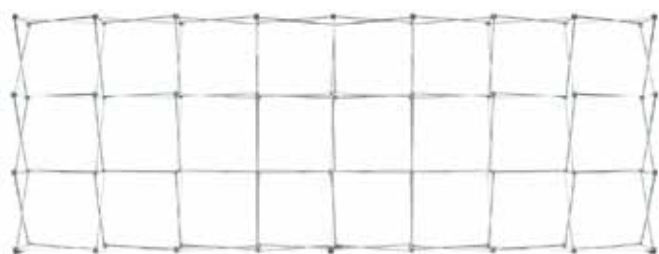


REBEL 20 FT. STRAIGHT



Rebel Light Black
UL Listed
(Optional)



Rebel Light Silver
UL Listed
(Optional)



Rebel LED Light Black
UL Listed
(Optional)



Rebel LED Light Silver
UL Listed
(Optional)



*Package includes padded nylon travel bag

PRODUCT DESCRIPTION

The Rebel Fabric Pop Up is the perfect display on the go and is ready in minutes. The lightweight aluminum alloy frame locks in place using plastic hooks. Attach the graphic to the frame with hook and loop fasteners. Interchangeable graphics make it a versatile choice. Easily collapse the frame with front graphic attached and stow in your carry bag.

DISPLAY DIMENSIONS	240"W x 89"H x 12"D
GRAPHIC SIZE	256.5"W x 89"H

GRAPHIC MATERIAL

Stretch Fabric

GRAPHIC FINISHING

2" Loop Velcro on back perimeter

DISPLAY CONSTRUCTION

Aluminum frame, 2" Velcro (hook) strips, and plastic hooks.

SHIPPING WEIGHTS & DIMENSIONS

Shipping Weight	47 lbs (stand only) 50 lbs (frame and graphic)
Shipping Dimensions	26"L x 12"W x 36"H

LARGE QUANTITY FREIGHT

Freight Shipping	8 boxes per 48"L x 40"W x 65"H skid
Freight Weight	421 lbs (frame only) 445 lbs (frame & graphic)

AVAILABLE ACCESSORIES

Rebel Light (Black or Silver)	Rebel LED Light (Black or Silver)
-------------------------------	-----------------------------------

REBEL 20 FT. STRAIGHT

PARTS LIST



(Qty 1) 20ft Rebel Frame
(with pre-installed graphic)



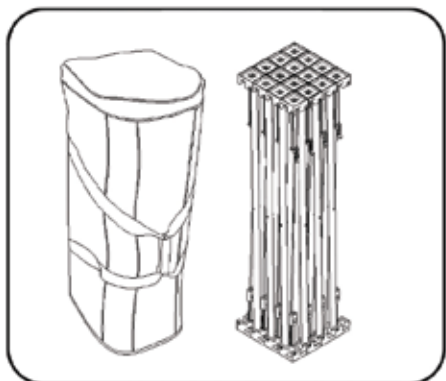
(Qty 1) 20ft Rebel Bag

REBEL FABRIC POP UP DISPLAY SET UP INSTRUCTIONS

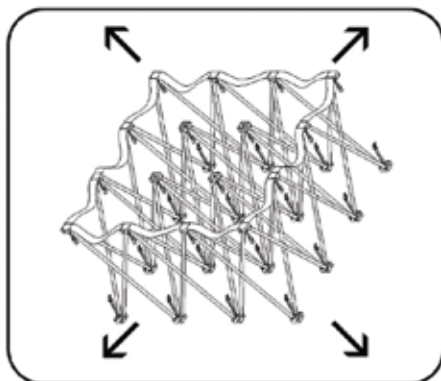
The following instructions are compatible with all shapes and sizes of Rebel frames.

Frame Assembly

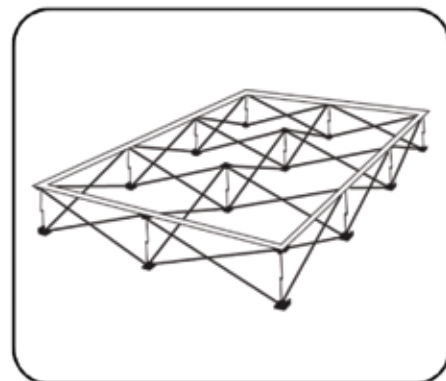
1. Remove frame from bag.



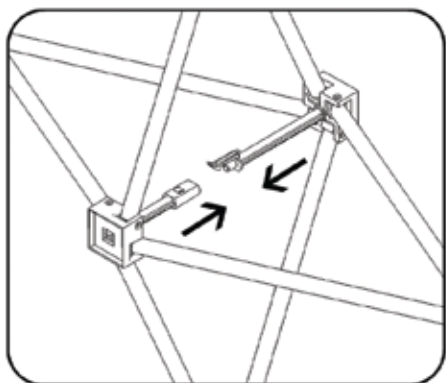
2. Expand frame by pulling outward.



3. Make sure velcro strips are facing up.

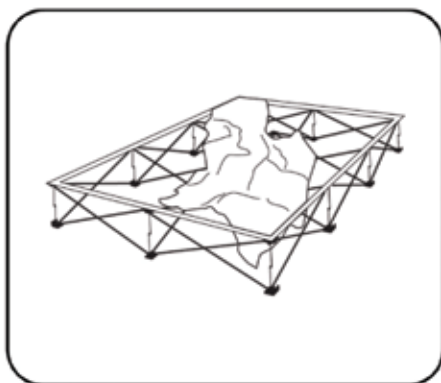


4. Push together all locks on frame to connect.

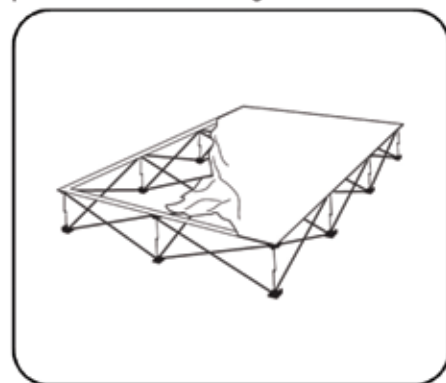


Graphic Installation

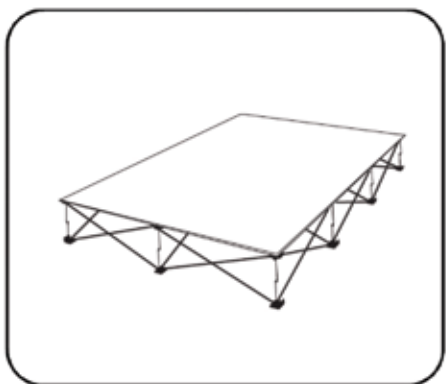
5. Starting at one corner, attach velcro on the graphic to velcro on the frame.



6. Attach the rest of the graphic by working your way around the frame. Make sure graphic is pulled taut while attaching the velcro.



7. If needed, adjust graphic for maximum tautness. Secure end caps to complete.



*Note - To avoid damage, disconnect end caps and all hooks before collapsing frame. Graphic can remain on frame during storage.

