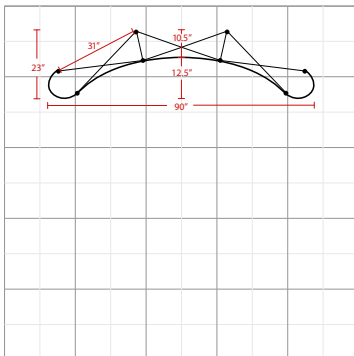


POP UP 8FT TABLETOP GRAPHIC

Graphic Package



The box represents 10'x10' booth.

Product Features

The Tabletop Pop Up Display, a trade show classic, comes with everything you need to effectively promote your product. Designed specifically to fit 10ft. trade show booths, the straightforward look of the Pop Up gives a professional presentation. Expand the geometric aluminum frame, click locking mechanisms into place, and hang the graphic panels to complete set up. Various styles and sizes available up to 20ft wide. Choose from PVC or laminate material.

Display Dimension	8'W x 5'H x 2'D
Graphic Size	123.23"W x 59.646"H

Graphic Material

12 Mil Titanium Blockout Film / 10 Mil Polycarbonate Overlamine

Graphic Finishing

Magnetic strips on the sides and hanging hardware on top and bottom

Construction

Aluminum frame

Laminated panels w/magnetic strips

Aluminum channel bars w/magnetic strips

Weights - Dimensions

Shipping Weight	38 lbs
Shipping Dimensions	35" x 20" x 11"

Package Includes

- (1) Aluminum frame
- (4) Black channel bars
- (8) Silver channel bars
- (2) 150w Halogen light
- (1) Channel bar bag
- (1) Repair kit
- (2) Carry bags
- (3) Graphic center panels
- (2) Graphic end panels

Graphic Specification

123.23"W x 59.646"H

POP UP 8FT TABLETOP CENTER GRAPHIC

Center Package



Fabric End Panel Color Options

Coal
PMS Black c



Imperial
PMS 281c



Silver
PMS 423c



Product Features

The Tabletop Pop Up Display, a trade show classic, comes with everything you need to effectively promote your product. Designed specifically to fit 10ft. trade show booths, the straightforward look of the Pop Up gives a professional presentation. Expand the geometric aluminum frame, click locking mechanisms into place, and hang the graphic panels to complete set up. Various styles and sizes available up to 20ft wide. Choose from PVC or laminate material.

Display Dimension	8'W x 5'H x 2'D
Graphic Size	81.495"W x 59.646"H

Graphic Material

12 Mil Titanium Blockout Film / 10 Mil Polycarbonate Overlaminate

Graphic Finishing

Magnetic strips on the sides and hanging hardware on top and bottom

Construction

Aluminum frame

Laminated panels and Velcro receptive fabric panels w/magnetic strips

Aluminum channel bars w/magnetic strips

Weights - Dimensions

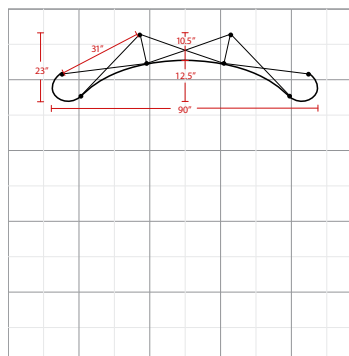
Shipping Weight	38 lbs
Shipping Dimensions	35" x 20" x 11"

Package Includes

- (1) Aluminum frame
- (4) Black channel bars
- (8) Silver channel bars
- (2) 150w Halogen light
- (1) Channel bar bag
- (1) Repair kit
- (2) Carry bags
- (3) Graphic center panels
- (2) Fabric end panels

Graphic Specification

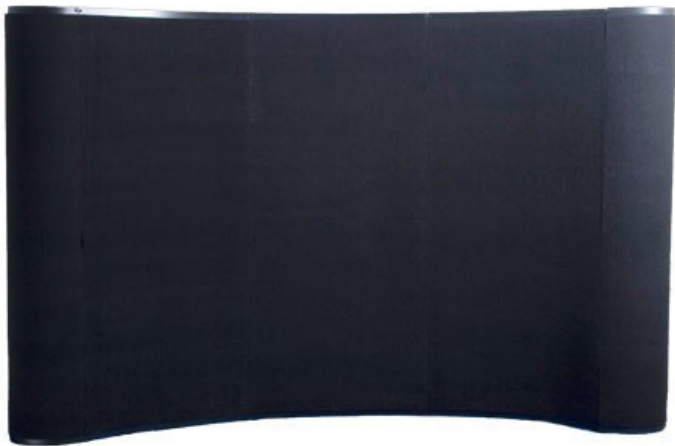
81.495"W x 59.646"H



The box represents 10'x10' booth.

POP UP 8FT TABLETOP FABRIC

Fabric Package



Fabric Panel Color Options

Coal
PMS Black c



Imperial
PMS 281 c



Silver
PMS 423c



Product Features

The Tabletop Pop Up Display, a trade show classic, comes with everything you need to effectively promote your product. Designed specifically to fit 10ft. trade show booths, the straightforward look of the Pop Up gives a professional presentation. Expand the geometric aluminum frame, click locking mechanisms into place, and hang the graphic panels to complete set up. Various styles and sizes available up to 20ft wide. Choose from PVC or laminate material.

Display Dimension	8'W x 5'H x 2'D
-------------------	-----------------

Graphic Material

Velcro receptive fabric

Graphic Finishing

Magnetic strips on the sides and hanging hardware on top and bottom

Construction

Aluminum frame

Velcro receptive fabric panels w/magnetic strips

Aluminum channel bars w/magnetic strips

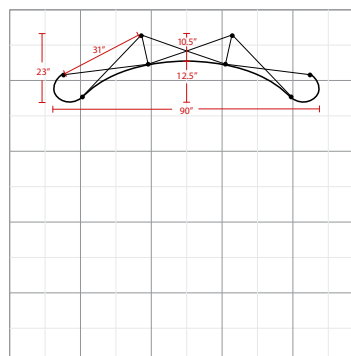
Weights - Dimensions

Shipping Weight	38 lbs
-----------------	--------

Shipping Dimensions	35" x 20" x 11"
---------------------	-----------------

Package Includes

- (1) Aluminum frame
- (4) Black channel bars
- (8) Silver channel bars
- (2) 150w Halogen light
- (1) Channel bar bag
- (1) Repair kit
- (2) Carry bags
- (3) Fabric center panels
- (2) Fabric end panels



The box represents 10'x10' booth.