

3FT ROUND SNAP EXTEND DISPLAY



PRODUCT DESCRIPTION

Introducing Round Snap Extend Displays! Score big attention with this simple hoop frame covered in stunning custom graphics. Signature lightweight aluminum snap tubes connect together. Single- or double-sided fabric pillowcase graphic easily zips taut. Steel base provides stability. Available in 3', 5' and 7' diameters.

DISPLAY DIMENSIONS	42"W x 78"H x 10"D
GRAPHIC SIZE	42"W x 42"H (Keyhole 42"W x 78"H x 10"D)

GRAPHIC MATERIAL

Dye-Sublimated Stretch Fabric

GRAPHIC FINISHING

Pillowcase finishing and zipper sewn across top

DISPLAY CONSTRUCTION

Aluminum frame and steel base

SHIPPING WEIGHTS & DIMENSIONS

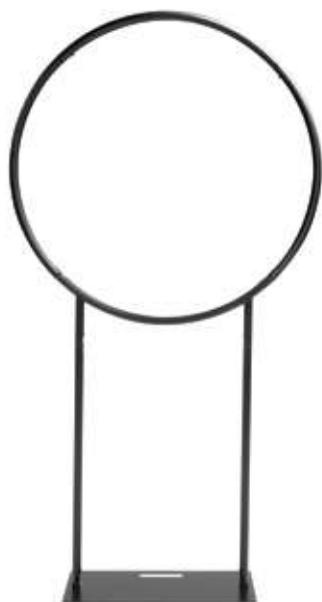
Shipping Weight	13 lbs (stand only) 14 lbs (frame and graphic)
Shipping Dimensions	38.5"L x 11"W x 4"H

LARGE QUANTITY FREIGHT

Freight Shipping	36 boxes per 48"L x 40"W x 70"H skid
Freight Weight	513 lbs (frame only) 549 lbs (frame & graphic)

AVAILABLE ACCESSORIES

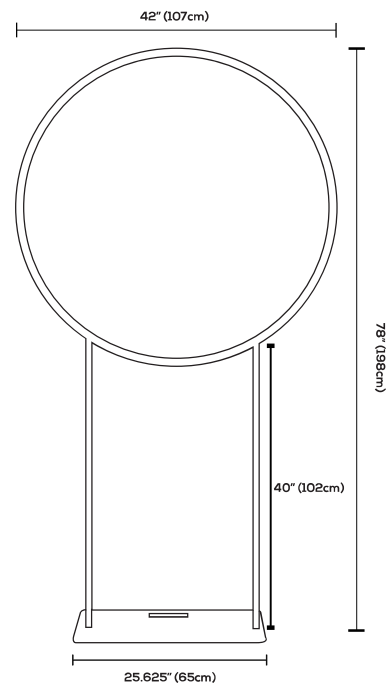
Snap Tube LED Lights (Black or Silver)



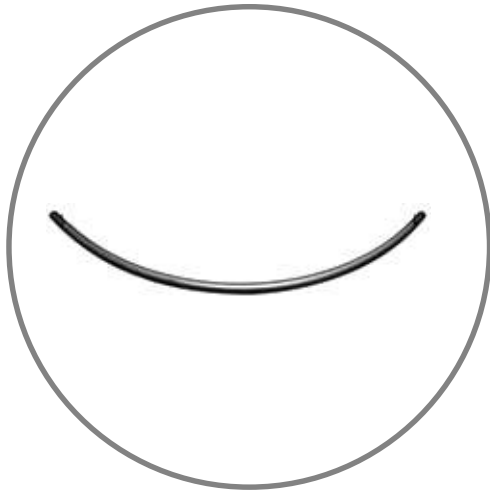
*SnapTube LED Light
(Black and Silver available)



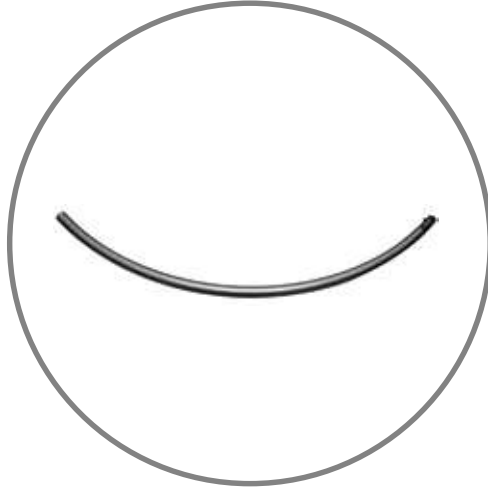
Welded frame design
(bottom support)



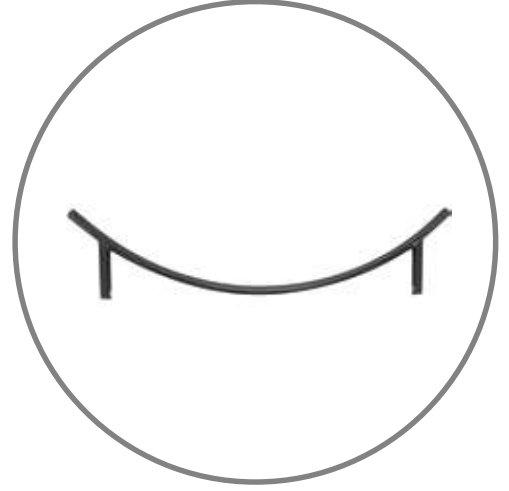
PARTS LIST



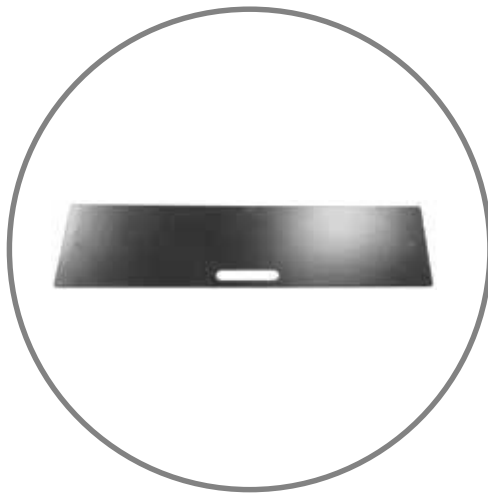
Qty.1 Male/Male Tube



Qty.2 Male/Female Tube



Qty.1 Bottom Support Tube



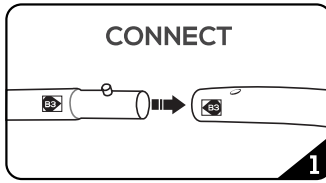
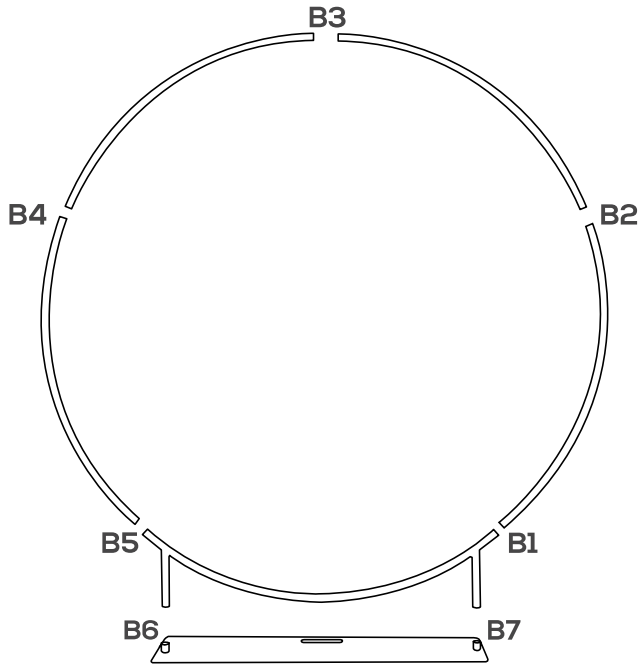
Qty.1 Base



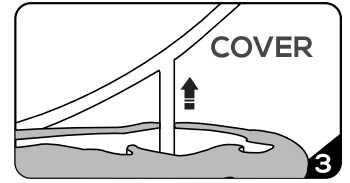
Qty.2 Base Legs

SNAP EXTEND CIRCLE 3 DISPLAY INSTRUCTIONS

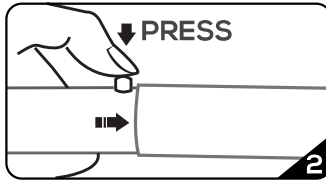
The following instructions are compatible with all shapes and sizes of Round Easy Extend frames.



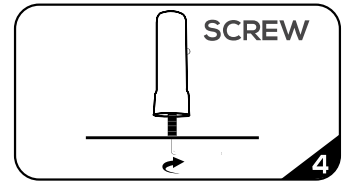
Connect numbered tubes together.



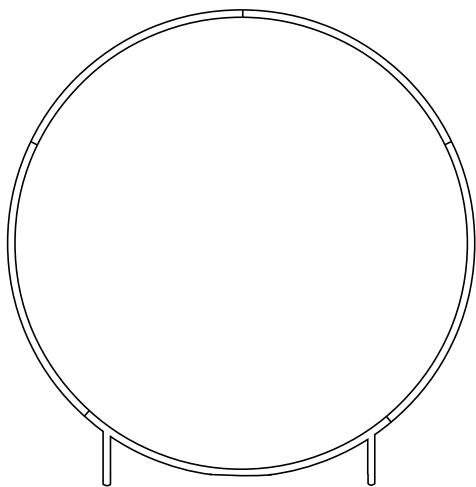
Pull graphic up from bottom of frame and close zippers.



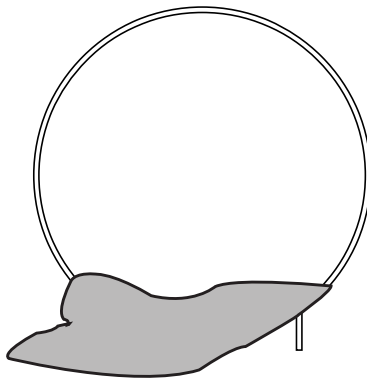
Push button down and insert tube.



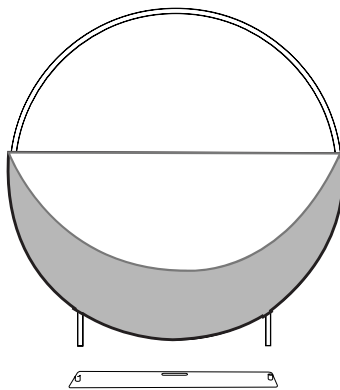
Screw legs into base.



Set up frame, snap tubes together.



Drape bottom of graphic over the bottom of the frame. Thread the "legs" through and insert them into the base. Pull graphic halfway up the frame.



Close zipper over the top of the frame.